

HXT SERIES FLUOROPOLYMER (PTFE) SCREW PLUG HEATERS

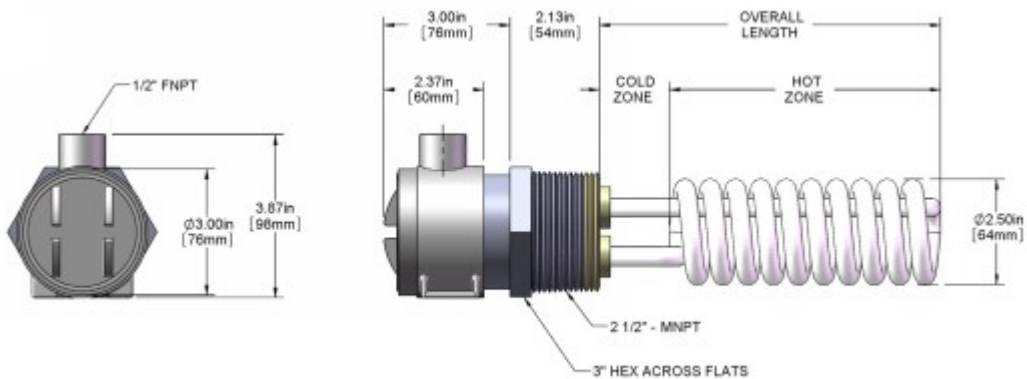


| HXT SERIES, FLUOROPOLYMER (PTFE) SCREW PLUG HEATERS | | | | | |
|--|-------|------------------------------|----------------|-----------------|--------------------------|
| WATTS | VOLTS | OVERALL LENGTH In./mm) | PIPE THREAD | MODEL NUMBER | SHIP WGT. Lbs./kg) |
| 1000 | 120 | 9 | 2-1/2 | HXT1109 | 9 |
| | 240 | (230) | | HXT1209 | (4) |
| 2000 | 120 | 14 | 2-1/2 | HXT2114 | 12 |
| | 240 | (355) | | HXT2214 | (5.5) |
| | 480 | | | HXT2414 | |
| 3000 | 240 | 19 | 2-1/2 | HXT3219 | 15 |
| | 480 | (485) | | HXT3419 | (7) |
| 4000 | 240 | 26 | 2-1/2 | HXT4226 | 17 |
| | 480 | (660) | | HXT4426 | (8) |
| 5000 | 240 | 30 | 2-1/2 | HXT5230 | 20 |
| | 480 | (760) | | HXT5430 | (9) |
| 6000 | 240 | 34 | 2-1/2 | HXT6234 | 23 |
| | 480 | (865) | | HXT6434 | (10.5) |

Product Features and Benefits:

- ◆ **SUPERIOR CHEMICAL RESISTANCE:** Inert to most aqueous acid, alkaline, anodizing and plating solutions. Check solution recommendation chart or with your chemical supplier for proper sheath material selection.
 - ◆ **RUGGED CONSTRUCTION:** Heavy wall fluoropolymer (PTFE) covered stainless steel sheath and PVDF screw plug reduces permeation and eliminates the need for gas purge systems. Guaranteed 100% pinhole free.
 - ◆ **OUTSTANDING PERFORMANCE:** Low watt densities of 10 watts per square inch (1.5w/cm²) ensure long service life.
 - ◆ **CORROSION RESISTANT HEAD:** Vapor tight, flame retardant polypropylene terminal enclosure with 3-foot (.9m) flexible PVC liquid tight conduit.
 - ◆ **SAFETY FEATURES:** Grounded internal metal heating element
 - ◆ **CERTIFICATIONS:** CE.
 - ◆ **SIZES:** 1,000 watts to 6,000 watts.
 - ◆ **VOLTAGES:** 120, 240 or 480 volts. 208, 380, 415, 600 and other voltages available. Single phase only.
 - ◆ **OPTIONS AVAILABLE (consult factory):**
 - Special configurations and lengths.
 - Thermowells.
 - Integral thermostats.
 - Lower watt densities for highly viscous solutions.
 - Temperature and level controls sized to match the heater.
- NOTE:** Intended for horizontal installation only.

HXT SERIES DIMENSIONS



HXT SERIES ORDERING INFORMATION

| Series | Wattage | Voltage | Length (in.) | Options | Wire and Conduit Length |
|--|--|---|--|---------|-------------------------|
| <ul style="list-style-type: none"> 1 = 1000 2 = 2000 3 = 3000 4 = 4000 5 = 5000 6 = 6000 | <ul style="list-style-type: none"> 1 = 120 2 = 240 3 = 380 4 = 480 5 = 415 6 = 600 7 = 400 8 = 208 9 = 220 0 = 200 | <ul style="list-style-type: none"> 9 = 1kW 14 = 2kW 19 = 3kW 26 = 4kW 30 = 5kW 34 = 6kW specify (custom lengths available) | <ul style="list-style-type: none"> Single phase power only -P3 = J type thermocouple no designator = 36" length standard specify variations from standard Ex: -X84 = 84" 1 inch = 25.4mm | | |
| <ul style="list-style-type: none"> HXT = PTFE sheathed HST = 304 stainless steel | | | | | |