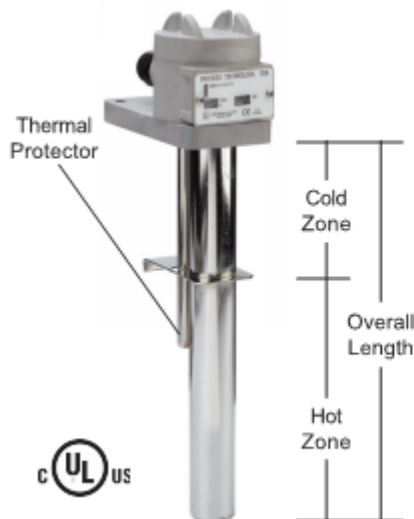


B SERIES 1-1/4" SMALL TANK METAL HEATERS

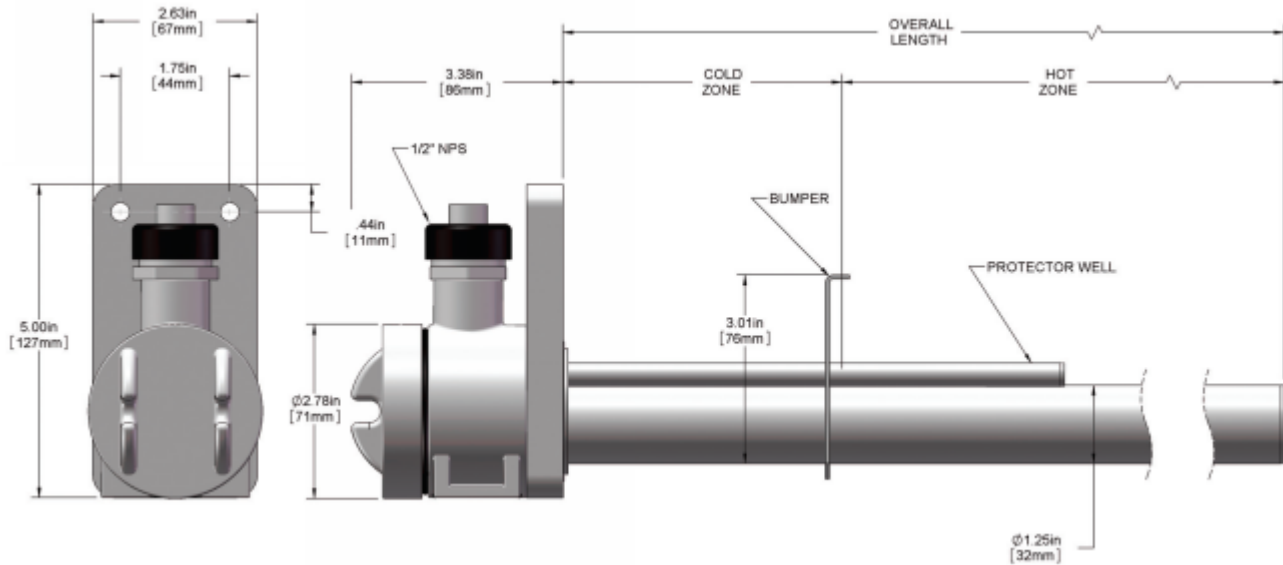


B SERIES, 1 1/4" SMALL TANK METAL HEATERS							
WATTS	VOLTS	HOT ZONE	OVERALL LENGTH	304	316	TITANIUM	SHIP WGT. (Lbs./kg)
		In./ (mm)	In./ (mm)	SS	SS		
500	120	5	10	FB.5110-**	SB.5110-**	TB.5110-**	5
	240	(130)	(255)	FB.5210-**	SB.5210-**	TB.5210-**	(2)
1000	120	8	14	FB1114-**	SB1114-**	TB1114-**	6
	240	(205)	(355)	FB1214-**	SB1214-**	TB1214-**	(3)
1500	120	11	17	FB1.5117-**	SB1.5117-**	TB1.5117-**	8
	240	(280)	(430)	FB1.5217-**	SB1.5217-**	TB1.5217-**	(3.5)

Product Features and Benefits:

- ◆ **SUPERIOR CHEMICAL RESISTANCE:** Materials available for use in most aqueous alkaline solutions, plating solutions, and rinse tanks. Check solution recommendation chart or with your chemical supplier for proper sheath material selection.
- ◆ **RUGGED CONSTRUCTION:** Heavy wall metal sheaths available in:
 - 304 stainless steel.
 - 316 stainless steel.
 - Titanium.
- ◆ **OUTSTANDING PERFORMANCE:** Watt densities of 45 watts per square inch (6.9 w/cm²) ensure long service life.
- ◆ **CORROSION RESISTANT HEAD:** Vapor tight, flame resistant polypropylene terminal enclosure with 3-foot (.9m) flexible PVC liquid tight conduit.
- ◆ **SAFETY FEATURES:**
 - Grounded construction.
 - Thermal protector built in. Replaceable P1 fuse standard for solutions up to 180°F (82°C).
 - Non-floating construction.
- ◆ **CERTIFICATIONS:** UL listed to U.S. and Canadian safety requirements, and CE.
- ◆ **SIZES:** 500 watts to 2,000 watts.
- ◆ **VOLTAGES:** 120 to 415 volts. Single phase only.
- ◆ **OPTIONS AVAILABLE (consult factory):**
 - Replaceable thermal protectors:
 - P4: for solutions from 180°F (82°C) to 230°F (110°C).
 - Resettable thermal protectors:
 - P2: for solutions up to 180°F (82°C).
 - P6: for solutions from 180°F (82°C) to 230°F (110°C).
 - Special configurations and lengths.
 - Longer wire and conduit lengths.
 - Pre-wired plug-in connector for easy and quick installation.
 - Lower watt densities for highly viscous solutions.
 - Temperature and level controls sized to match the heater.

B SERIES DIMENSIONS



B SERIES ORDERING INFORMATION

SMALL TANK METAL HEATER ORDERING INFORMATION

Series	Wattage	Voltage	Length (in.)	Options	Type of Fuse	Wire and Conduit Length
	.5 = 500 1 = 1000 1.5 = 1500	1 = 120 2 = 240 8 = 208 9 = 220 0 = 200	10 = .5kW 14 = 1kW 17 = 1.5kW specify custom lengths, not to exceed tank depth			no designator = 36" length standard specify variations from standard Ex: -X84 = 84"
	FB = 304 Stainless Steel SB = 316 Stainless Steel TB = Titanium		no designator = single power phase (standard)			
					Replaceable Protector	
					-P1	for solutions up to 180°F
					-P4	for 180° - 230°F solutions
					Resettable Protector	
					(additional control components required)	
					-P2	for solutions up to 180°F
					-P6	for 180° - 230°F solutions

1 inch = 25.4mm