

Heating Mantles for Laboratory Flasks

Heating Mantles offer uniform heat distribution for round-bottom flasks. Whether the need is a self-standing mantle, a mantle to fit in a basket ring stand, a mantle to fit in a basket ring stand, or a full coverage zippered mantle, Heating Mantles provide the solution.

Product Highlights

- ✓ Molded to Fit Round-Bottom Flasks
- ✓ Fits in a Basket Ring Stand or Table Top
- ✓ Temperatures up to 900°F (482°C)
- ✓ Low Watt Density



HM Lower Hemispherical Heating Mantles

Product Highlights

- ✓ Ideal for use with basket ring stand
- ✓ 120VAC model includes 3" (76mm) lead wire with NEMA L1-15R connector and a 4 foot (1.2m) power adaptor cord with NEMA 1-15 plug.
- ✓ 240VAC model includes 3" (76mm) lead wire with no plug



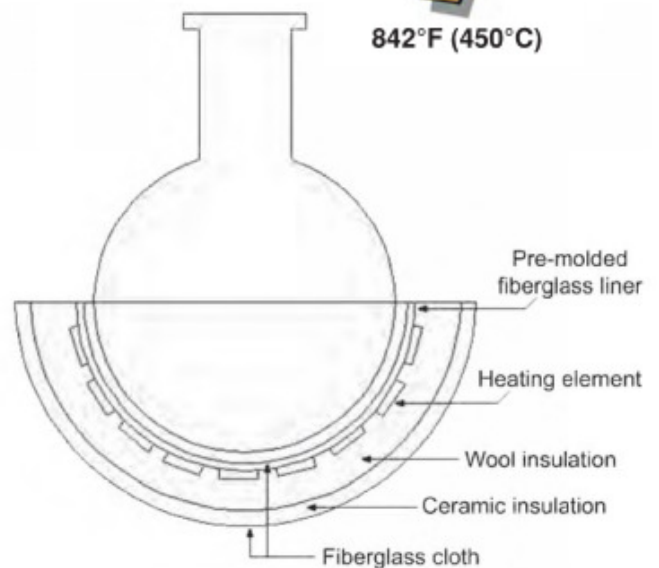
Ordering Information:

Size ml	Total Watts	Part Number	
		120VAC	240VAC
50	60	HM0050-HS1	HM0050-HS2
100	80	HM0100-HS1	HM0100-HS2
125	80	HM0125-HS1	HM0125-HS2
200	100	HM0200-HS1	HM0200-HS2
250	180	HM0250-HS1	HM0250-HS2
500	270	HM0500-HS1	HM0500-HS2
1000	380	HM1000-HS1	HM1000-HS2
2000	500	HM2000-HS1	HM2000-HS2
3000	500	HM3000-HS1	HM3000-HS2
5000	600	HM5000-HS1	HM5000-HS2
12000	1300	HM12000-HS1	HM12000-HS2

Temperatures up to



842°F (450°C)



IMPORTANT: Temperature controller is required for this product.

HM Upper Hemispherical Heating Mantles

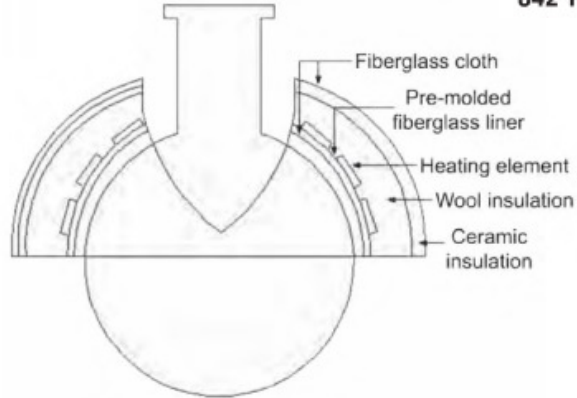
Product Highlights

- ✓ Opening holds 1, 2, or 3 neck flasks on ring stand
- ✓ Ideal for preventing vapor condensation in upper half of flask
- ✓ 120VAC model includes 3" (76mm) lead wire with NEMA L1-15R connector and a 4 foot (1.2m) power adaptor cord with NEMA 1-15 plug.
- ✓ 240VAC model includes 3" (76mm) lead wire with no plug



Ordering Information:

Size ml	Total Watts	Part Number	
		120VAC	240VAC
250	140	HM0250-TS1	HM0250-TS2
500	140	HM0500-TS1	HM0500-TS2
1000	140	HM1000-TS1	HM1000-TS2
2000	200	HM2000-TS1	HM2000-TS2
3000	200	HM3000-TS1	HM3000-TS2
5000	300	HM5000-TS1	HM5000-TS2



Temperatures up to



842°F (450°C)

IMPORTANT: Temperature controller is required for this product.

HM Spherical Heating Mantles

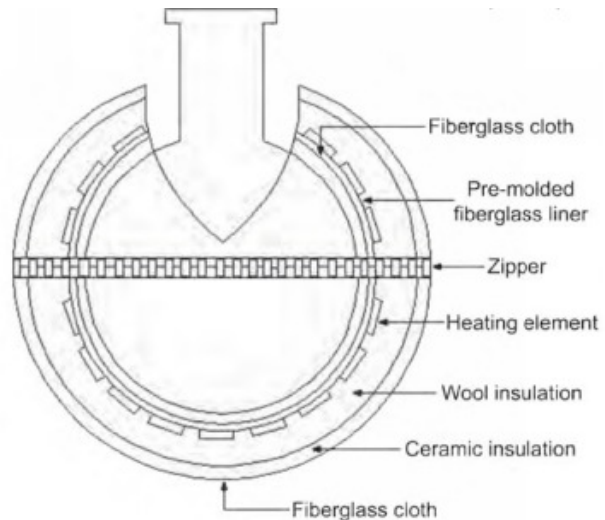
Product Highlights

- ✓ Opening holds 1, 2, or 3 neck flasks on ring stand
- ✓ Zipper fastens upper and lower halves together
- ✓ 120VAC model includes 3" (76mm) lead wire with NEMA L1-15R connector and a 4 foot (1.2m) power adaptor cord with NEMA 1-15 plug.
- ✓ 240VAC model includes 3" (76mm) lead wire with no plug



Ordering Information:

Size ml	Total Watts		Part No. 120VAC	Part No. 240VAC
	upper	lower		
500	0	270	HM0500-SS1	HM0500-SS2
1000	140	380	HM1000-SS1	HM1000-SS2
2000	200	500	HM2000-SS1	HM2000-SS2



Temperatures up to



842°F (450°C)

HM Table Top Heating Mantles

Product Highlights

- ✓ Self-supporting: can be placed directly on counter top
- ✓ Easy viewing of flask contents
- ✓ Stackable for easy storage
- ✓ Includes 6 feet (1.8m) cord with either a NEMA 1-15 (for 120VAC) or NEMA 6-15 (for 240VAC) plug



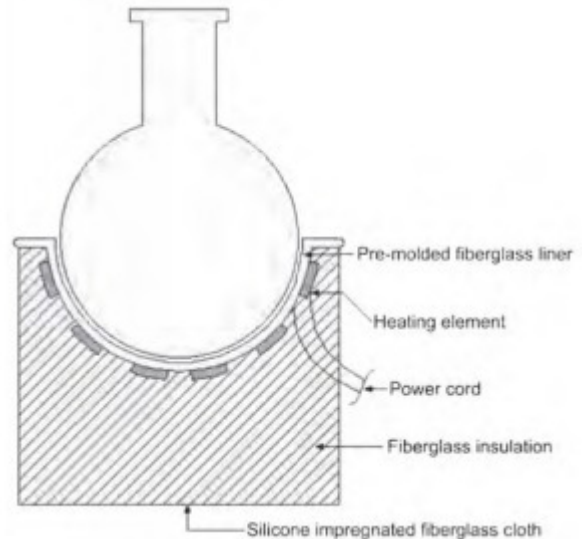
Temperatures up to



900°F (482°C)

Ordering Information:

Size ml	Total Watts	Part Number	
		120VAC	240VAC
50	52	HM0050VF1	HM0050VF2
100	70	HM0100VF1	HM0100VF2
250	143	HM0250VF1	HM0250VF2
500	210	HM0500VF1	HM0500VF2
1000	377	HM1000VF1	HM1000VF2
2000	520	HM2000VF1	HM2000VF2
3000	550	HM3000VF1	HM3000VF2
5000	620	HM5000VF1	HM5000VF2



IMPORTANT: Temperature controller is required for this product.