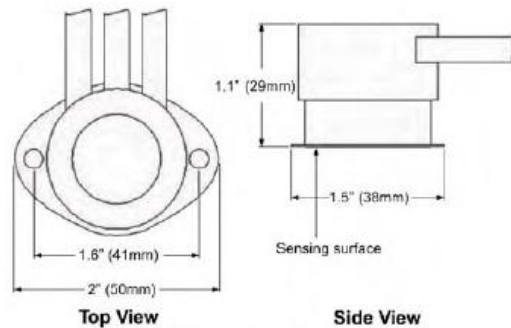


TD101N Weatherproof Snap Disc Thermostat

Product Highlights

- ✓ Remote control thermostat for individual circuits requiring a weatherproof device
- ✓ Typical uses:
 - Temperature control on heat tracing and process fluid system applications
 - External alarm or an over-temperature limit switch in conjunction with another control system
- ✓ Numerous temperature range choices to fit your application
- ✓ Mounts to surface
- ✓ Suitable for a Class I Division 2 hazardous-area with conduit fitting



TD101N series

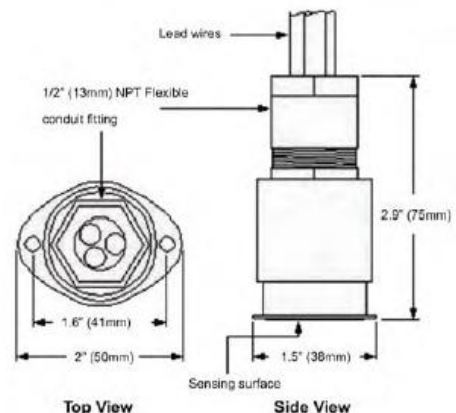
Specifications:

- Single pole double throw (SPDT)
- Temperature sensitive bimetal disc
- Average accuracy of $\pm 15^{\circ}\text{F}$ (8°C)
- Hermetically sealed housing
- Rated:
 - 25 Amps, up to 277VAC (UR)
 - 25 Amps, up to 240VAC (CSA)
- Maximum exposure temperature 221°F (105°C)
- Surface mount
- Power leads 4 feet (1.2m) long
- Integral 0.5" (13mm) NPT flexible conduit fitting (TD101X series)



Ordering Information:

Part Number		Volts	Amps	Settings	
TD101N	TD101X with conduit fitting			On °F (°C)	Off °F (°C)
TD101N-050	TD101X-050	Up to 277	25	35 (2)	50 (10)
TD101N-060	TD101X-060	Up to 277	25	45 (7)	60 (16)
TD101N-075	TD101X-075	Up to 277	25	60 (16)	75 (24)
TD101N-105	TD101X-105	Up to 277	25	90 (32)	105 (41)
TD101N-200	TD101X-200	Up to 277	25	185 (85)	200 (93)



TD101X series (with conduit fitting)